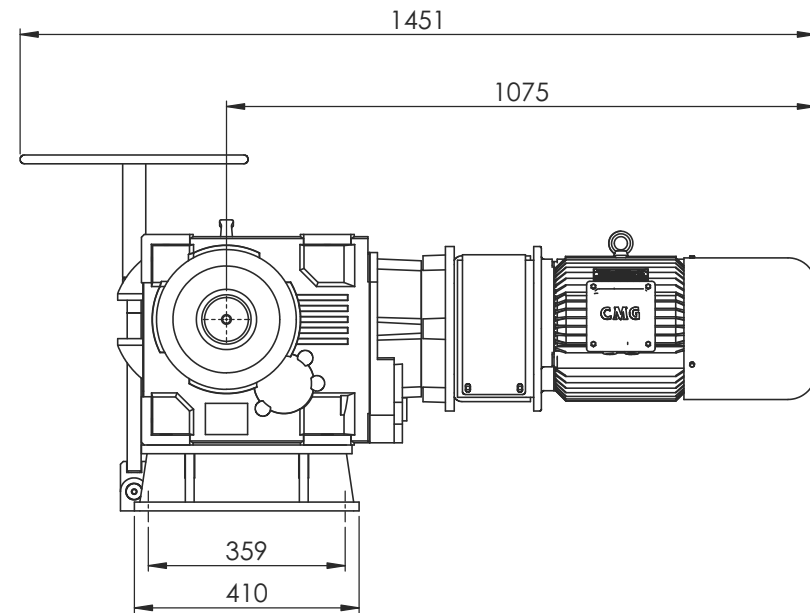
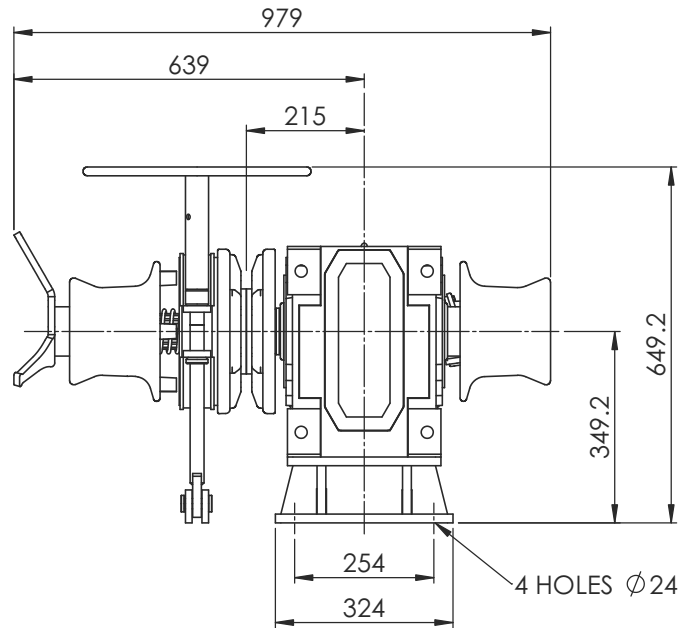


TYPICAL SPECIFICATIONS:

Line Pull: 1,250kg
 Hauling Speed: 0 - 15m/min
 Chain Gypsy Size - Short Link: 10-16mm
 Chain Gypsy Size - Stud: 12.5-16mm
 Windlass Waist Size: 200mm
 Weight - Double-Sided: 400kg
 Drive: Hydraulic (optional electrical drive)
 Note: Optional electric drive shown



NEUMANN EQUIPMENT

A Division of Neumann Contractors Pty Ltd

PO Box 8 Currumbin, Qld 4223 Australia Ph: +61 7 5589 2746 Fax: +61 7 5589 2775 ABN: 46 009 695 747
 Email: equipment@neumann.com.au Web: www.neumannequipment.com.au

Description: **AWA1250E**

**1.25 TONNE WINDLASS ANCHOR WINCH
 (electric option shown)**

© This drawing and the design shown thereon is the property of Neumann Equipment and must not be sold, lent, given away, copied, reproduced or otherwise divulged to third parties or used for manufacturing of other purposes without the written permissions of Neumann Equipment.