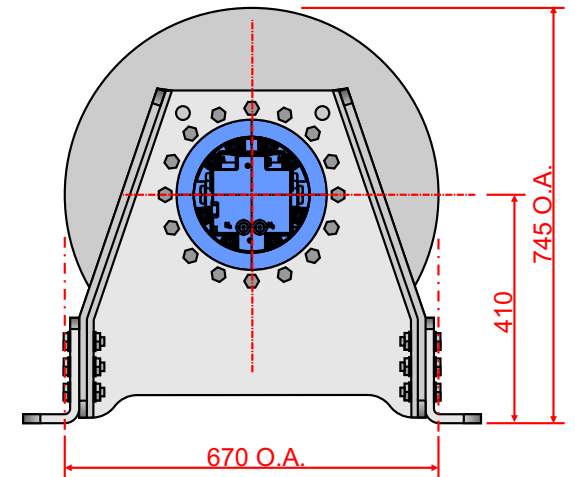
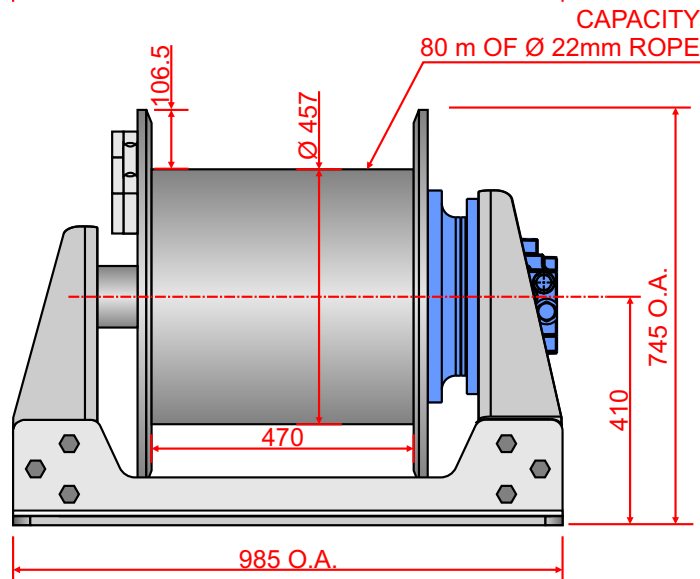
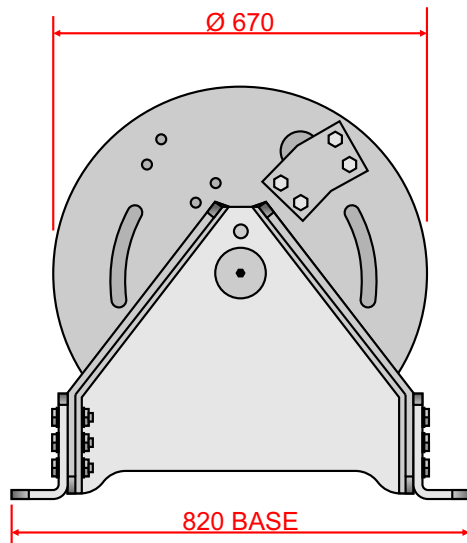
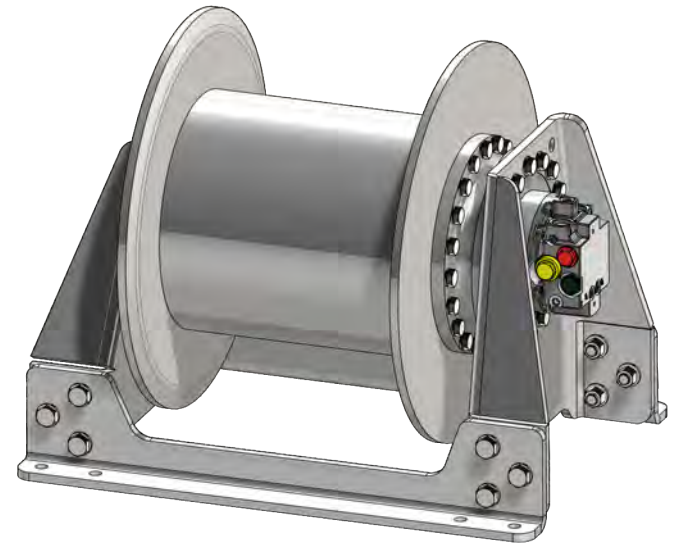
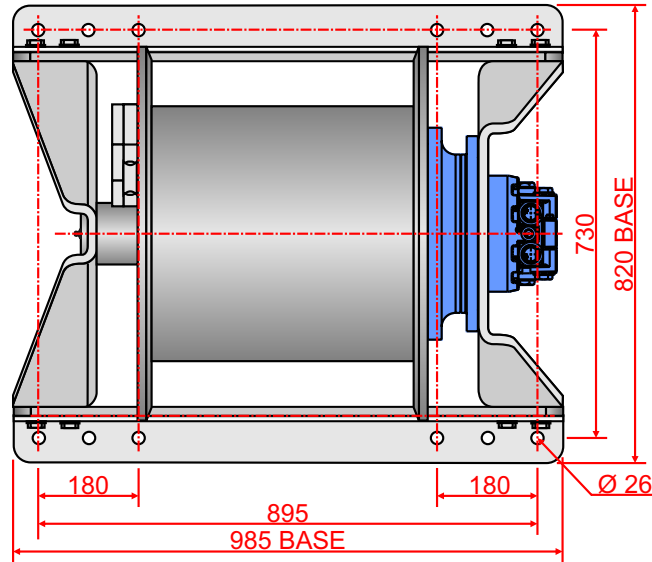


TYPICAL SPECIFICATIONS:

Rated Line Pull - Top Layer: 6,000kg
 Line Pull - Bottom Layer: 6,827kg
 Line Speed - Top Layer: 0 - 17m/min
 Line Speed - Bottom Layer: 0 - 14.9m/min
 Drum Speed: 0 - 9.93rpm
 Rope Size - Typical: 22mm
 Drum Width: 470mm
 Drum Capacity 50m
 Drive: Hydraulic (optional electrical drive)



NEUMANN EQUIPMENT

A Division of Neumann Contractors Pty Ltd

PO Box 8 Currumbin, Qld 4223 Australia Ph: +61 7 5589 2746 Fax: +61 7 5589 2775 ABN: 46 009 695 747
 Email: equipment@neumann.com.au Web: www.neumannequipment.com.au

Description: **BRW6000H**
6 TONNE BARGE WINCH

© This drawing and the design shown thereon is the property of Neumann Equipment and must not be sold, lent, given away, copied, reproduced or otherwise divulged to third parties or used for manufacturing of other purposes without the written permissions of Neumann Equipment.