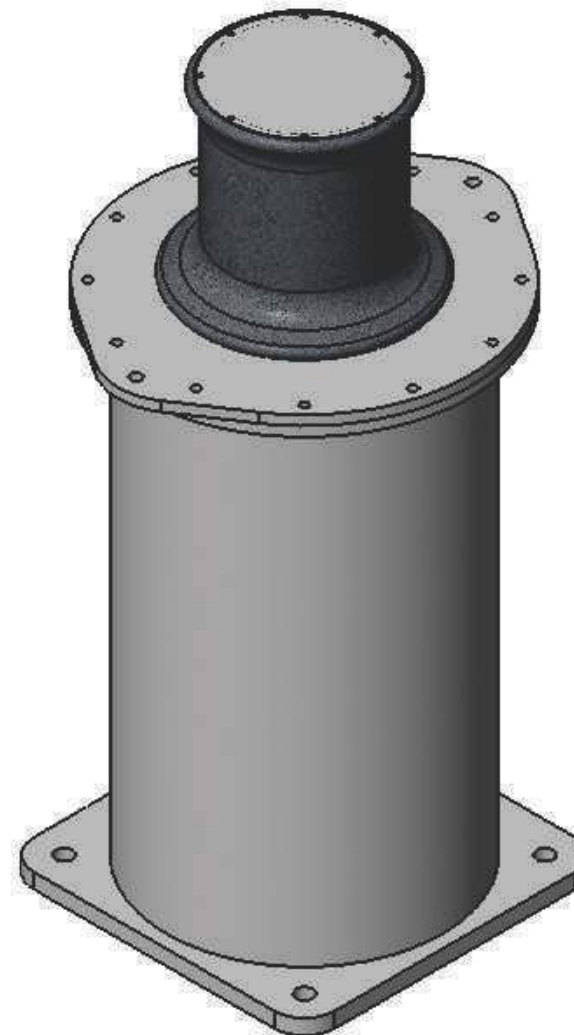
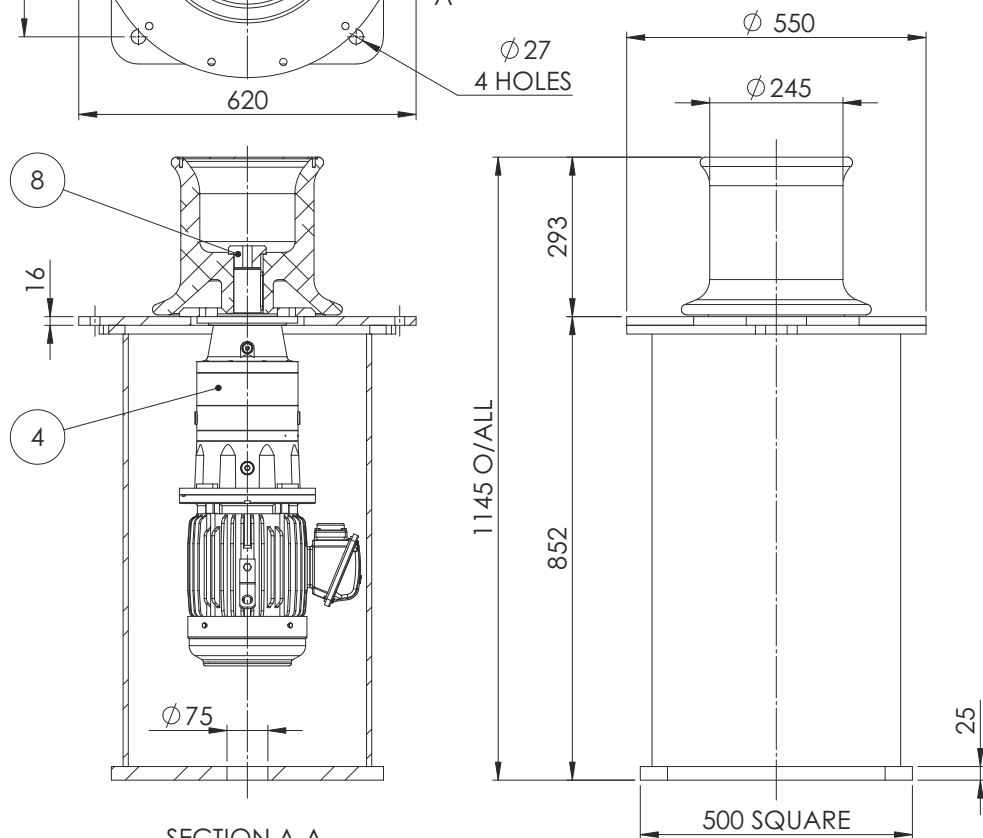


TYPICAL SPECIFICATIONS:

Line Pull: 1,200kg
 Hauling Speed: 0 - 20m/min
 Capstan Waist Size: 150-250mm
 Drive: Hydraulic or Electric
 (electrical drive shown)



NEUMANN EQUIPMENT

A Division of Neumann Contractors Pty Ltd

PO Box 8 Currumbin, Qld 4223 Australia Ph: +61 7 5589 2746 Fax: +61 7 5589 2775 ABN: 46 009 695 747
 Email: equipment@neumann.com.au Web: www.neumannequipment.com.au

Description: **CAP1200E**
1.2 TONNE CAPSTAN WINCH
(Pedestal mount, electric drive shown)