

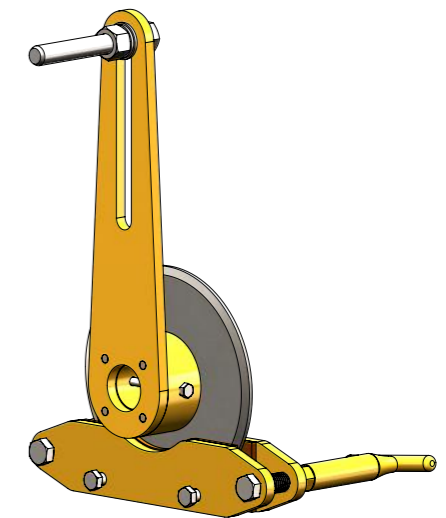
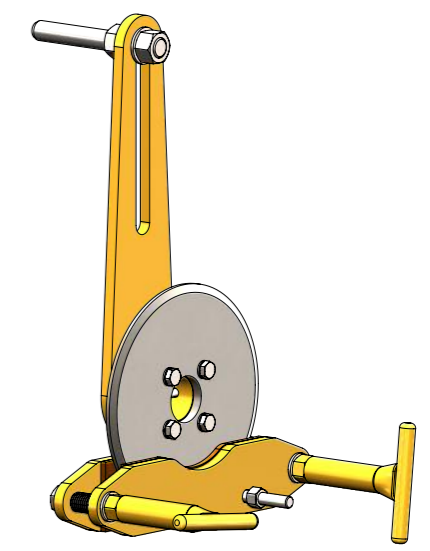
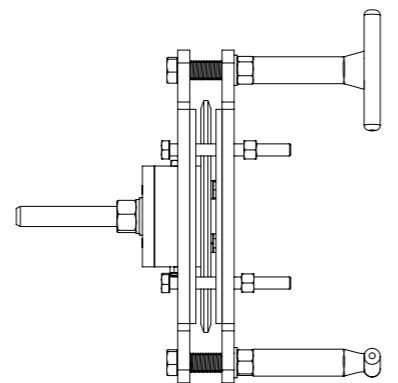
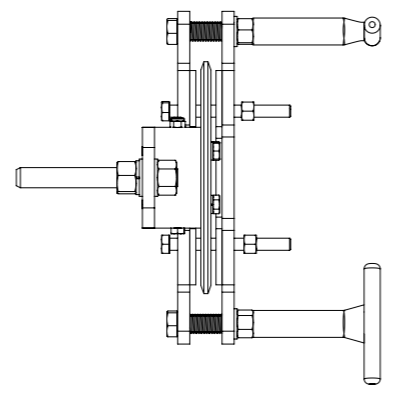
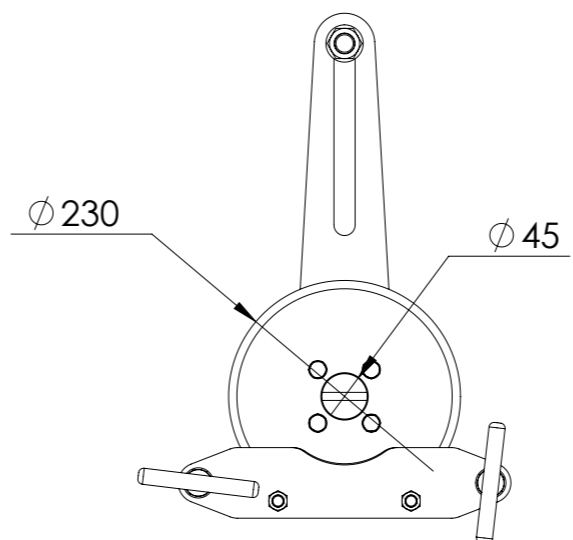
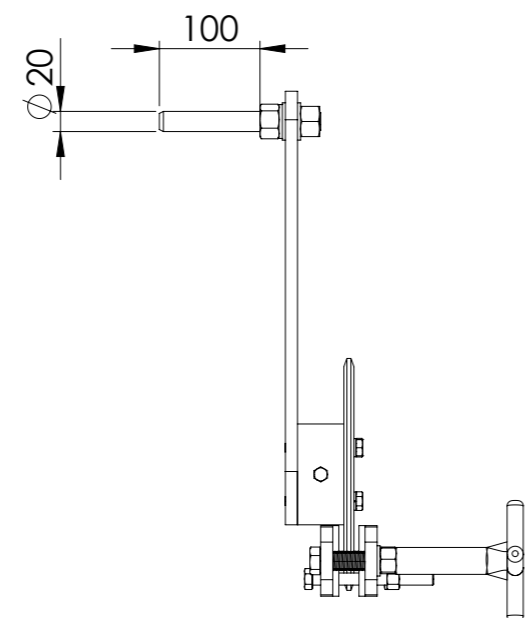
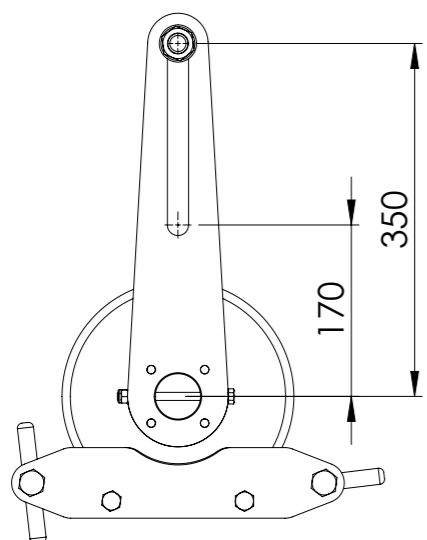
1 2 3 4 5 6

A

B

C

D



1T CABLE DRUM STAND OPTIONAL BRAKE SPECIFICATIONS	
MODEL NUMBER	CDST1000-BX
SUITS MODEL TYPE	CDST1000
WEIGHT	13 kg



PO Box 8 Currumbin, Queensland, 4223 Australia Ph: +61 7 5589 2746 Fax: +61 7 5589 2775  
 Email: equipment@neumann.com.au Web: neumannequipment.com.au ABN: 46 009 695 747

DESCRIPTION: **CDST1000-BX**  
 1 TONNE CABLE DRUM STAND OPTIONAL BRAKE  
 GENERAL ARRANGEMENT

© This drawing and design shown thereon is the property of NEUMANN EQUIPMENT and must not be sold, lent, given away, copied, reproduced, or otherwise divulged to third parties or used for manufacturing of other purposes without the written permissions of NEUMANN EQUIPMENT.

1 2 3 4 5 6