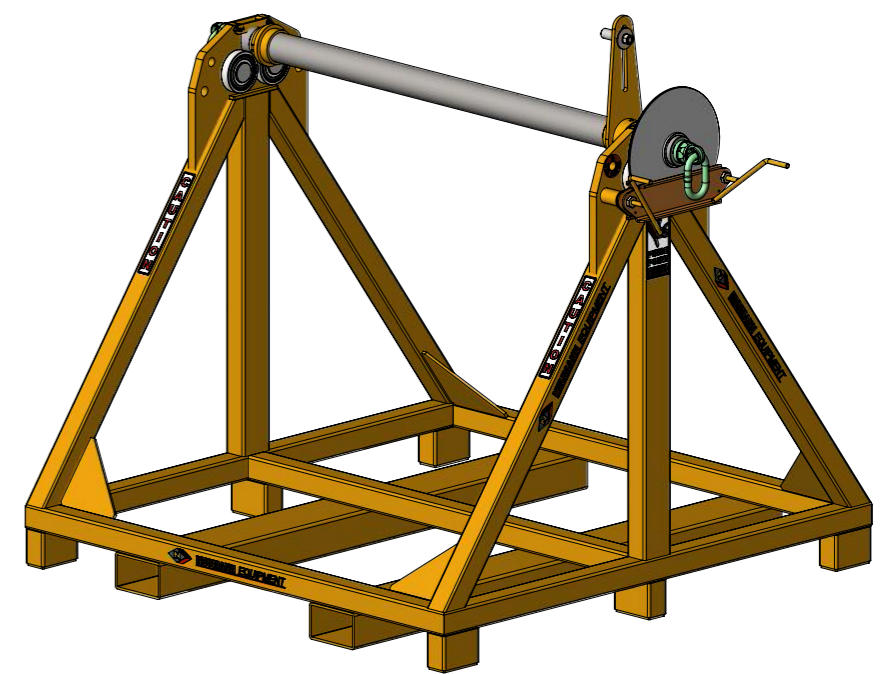
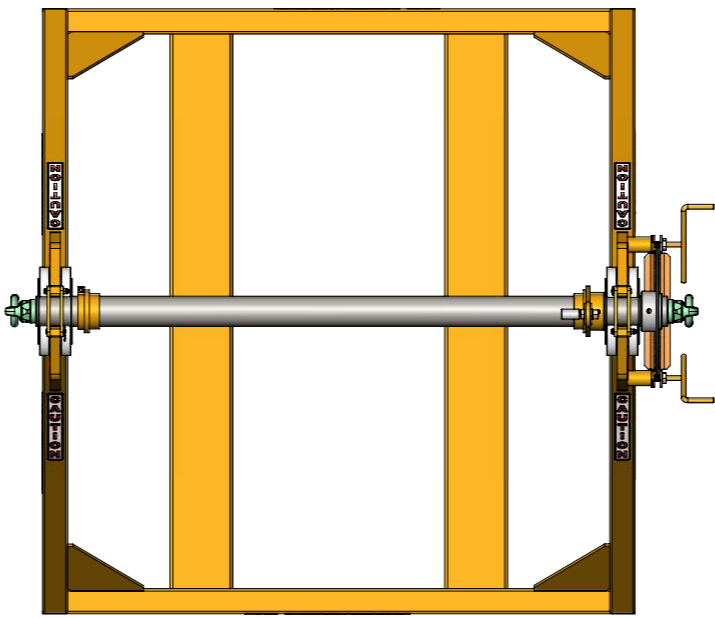


20 TONNE CABLE DRUM STAND SPECIFICATIONS

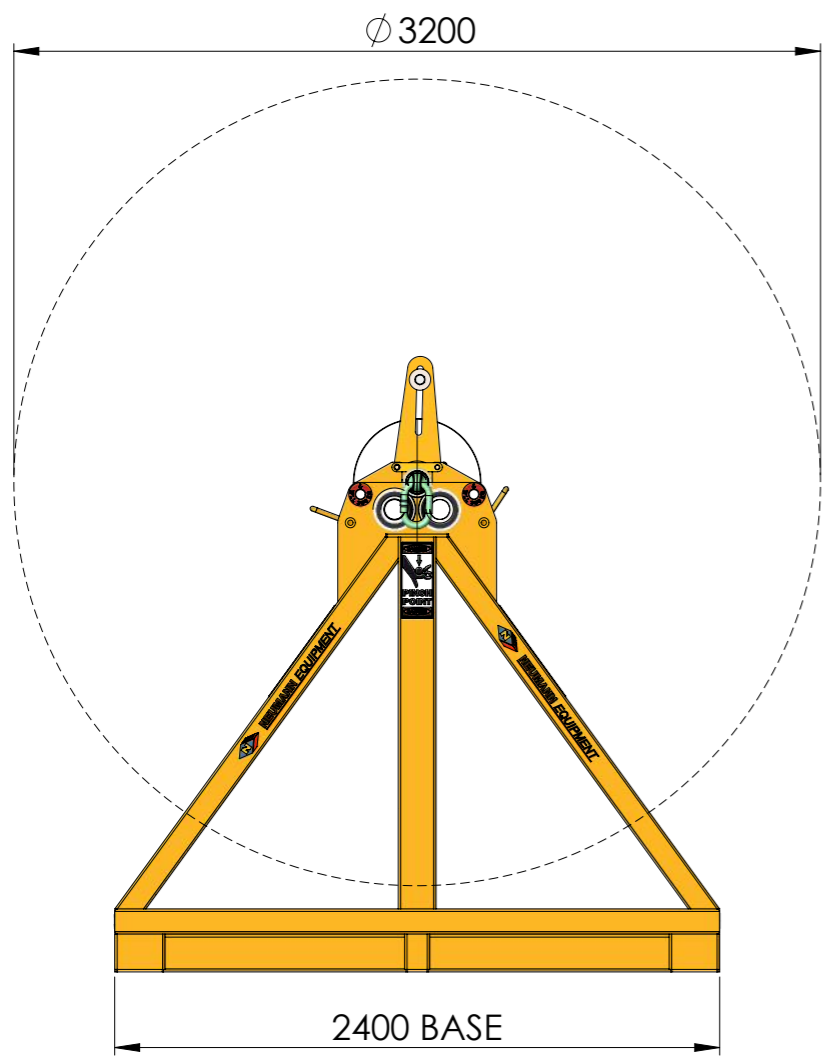
TYPE (BOLTED OR WELDED)	WELDED
MAXIMUM CAPACITY	20,000 kg
SUITS DRUM WIDTHS	1,400-1,960 mm
MAXIMUM DRUM DIAMETER	3,200 mm
SPINDLE DIAMETER	120
FIT DRUM CORE SIZES	140
TYPE OF BASE (STD/FORKED)	FORKED BASE
BRAKE FITTED	YES
WIDTH	2,350 mm
LENGTH	2,400 mm
HEIGHT TO CL SHAFT	1,942 mm
WEIGHT	1,240 kg

A



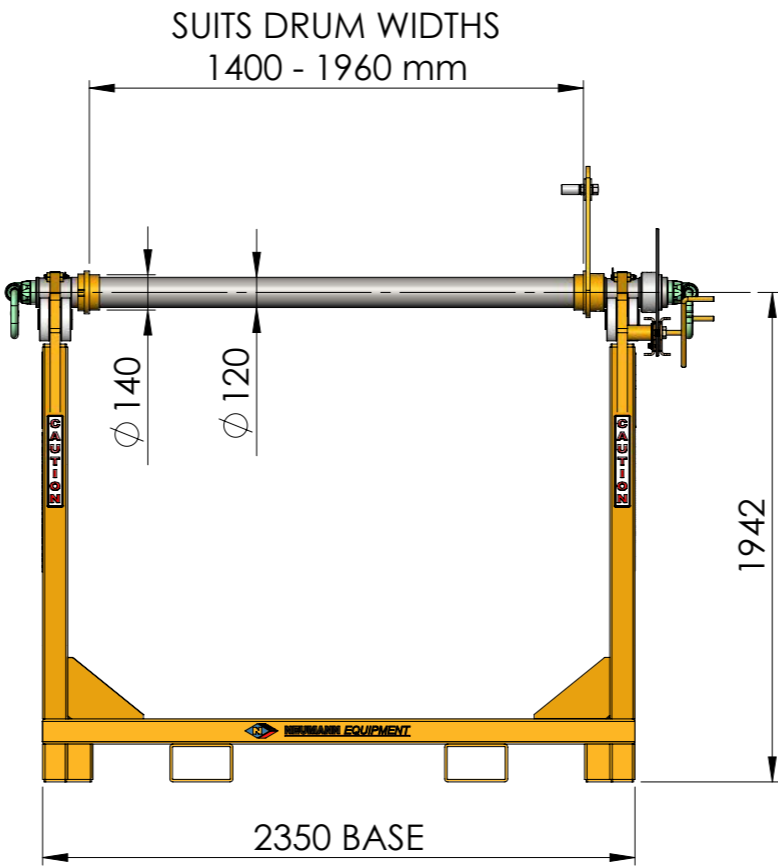
A

B



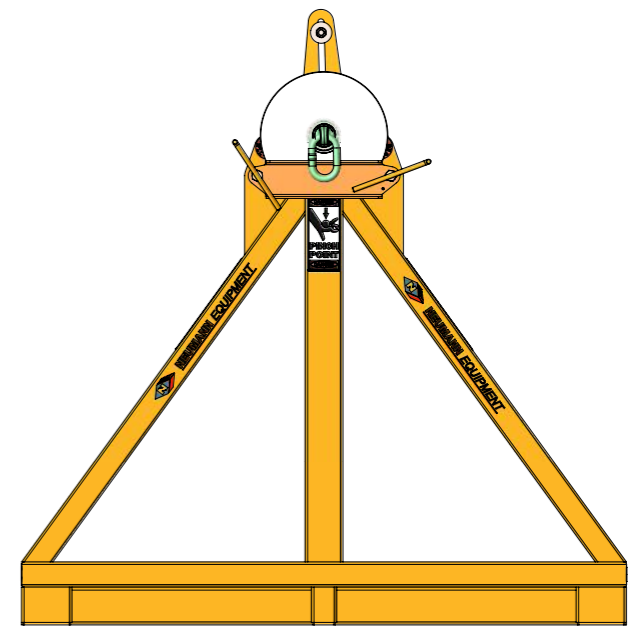
B

C



C

D



D

NEUMANN EQUIPMENT
 PO Box 8 Currumbin, Queensland, 4223 Australia Ph: +61 7 5589 2746 Fax: +61 7 5589 2775
 Email: equipment@neumann.com.au Web: neumannequipment.com.au ABN: 46 009 695 747

DESCRIPTION: **CDST20000-B**
 20 TONNE CABLE DRUM STAND - WELDED VERSION
 FORKED BASE WITH BRAKE

© This drawing and design shown thereon is the property of NEUMANN EQUIPMENT and must not be sold, lent, given away, copied, reproduced, or otherwise divulged to third parties or used for manufacturing of other purposes without the written permissions of NEUMANN EQUIPMENT.