

1

2

3

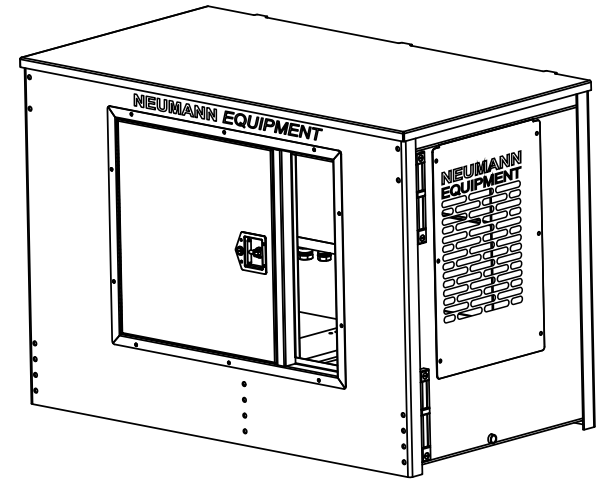
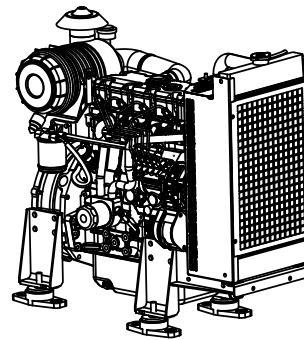
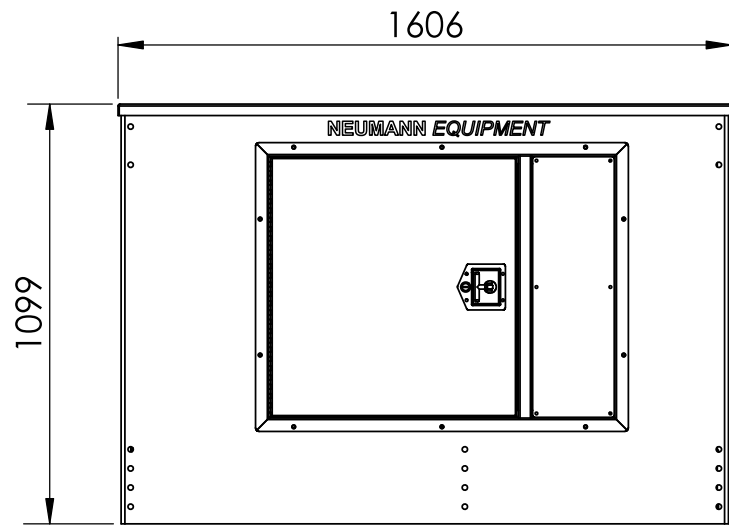
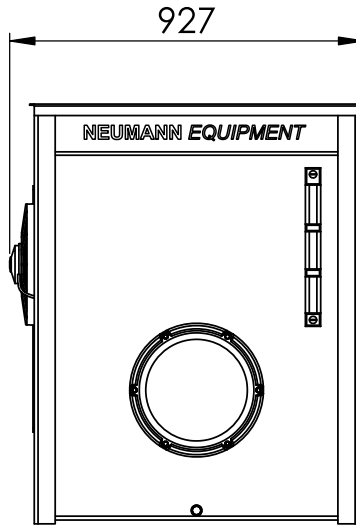
4

5

6

DHPU-38/45 Specifications

Engine Type	Diesel
Engine Model	Caterpillar C2.2
Engine Power	38 kW
Engine Size	2.2 litres
Hyd. Pump Size	45 cc
Pump Flow Rate	135 l/min
Diesel Tank Size	120 litres
Hyd. Tank Size	280 litres
Electrical System	12 volts
Pendant Control	Yes



NEUMANN EQUIPMENT

A Division of Neumann Contractors Pty Ltd
PO Box 8 Currumbin, Qld 4223 Australia Ph: +61 7 5589 2746 Fax: +61 7 5589 2775 ABN: 46 009 695 747
Email: equipment@neumann.com.au Web: www.neumannequipment.com.au

Description: **DHPU-38/45**
DIESEL HYDRAULIC POWERPACK UNIT
38kW CAT C2.2 with 45cc HYDRAULIC PUMP

© This drawing and the design shown thereon is the property of Neumann Equipment and must not be sold, lent, given away, copied, reproduced or otherwise divulged to third parties or used for manufacturing of other purposes without the written permissions of Neumann Equipment.

1

2

3

4

5

6