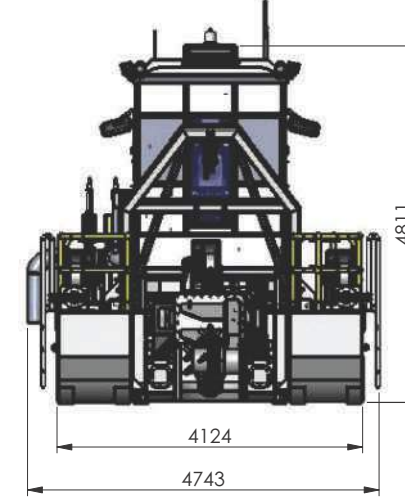
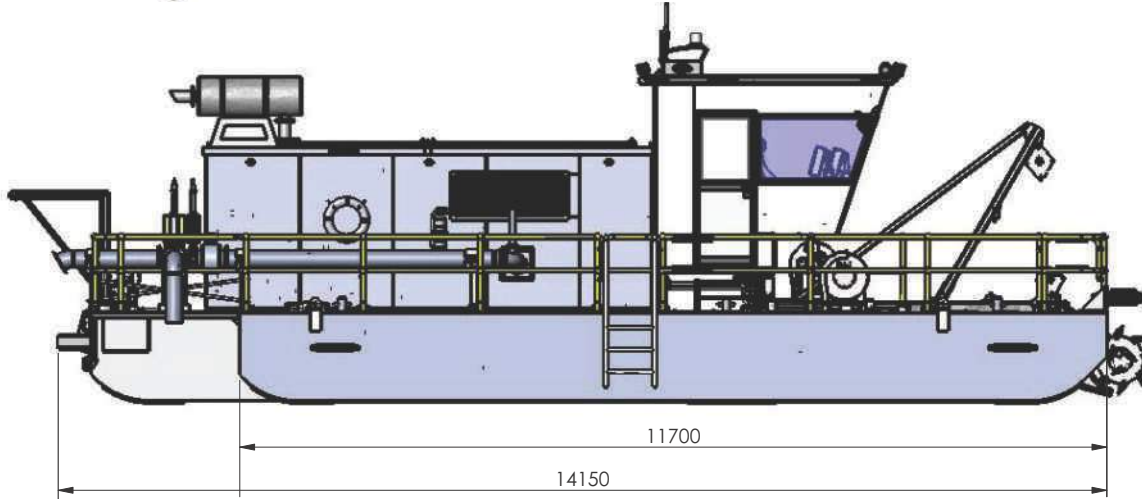
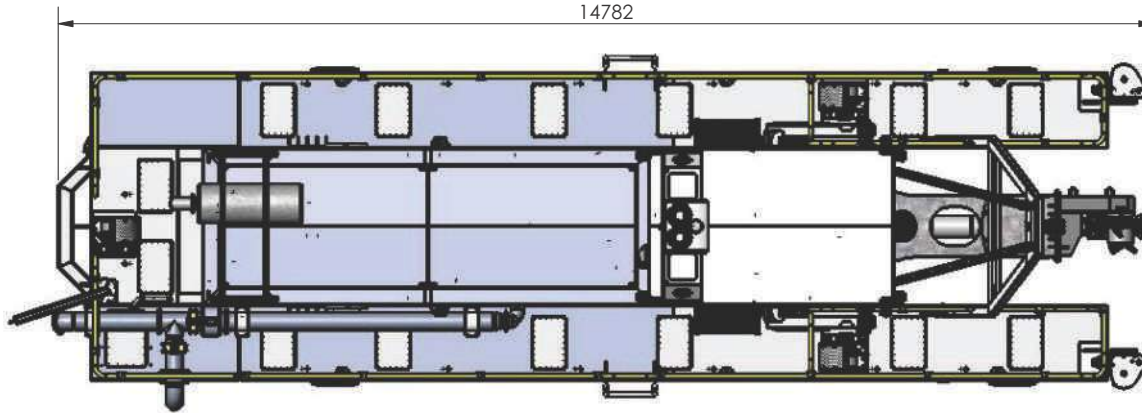
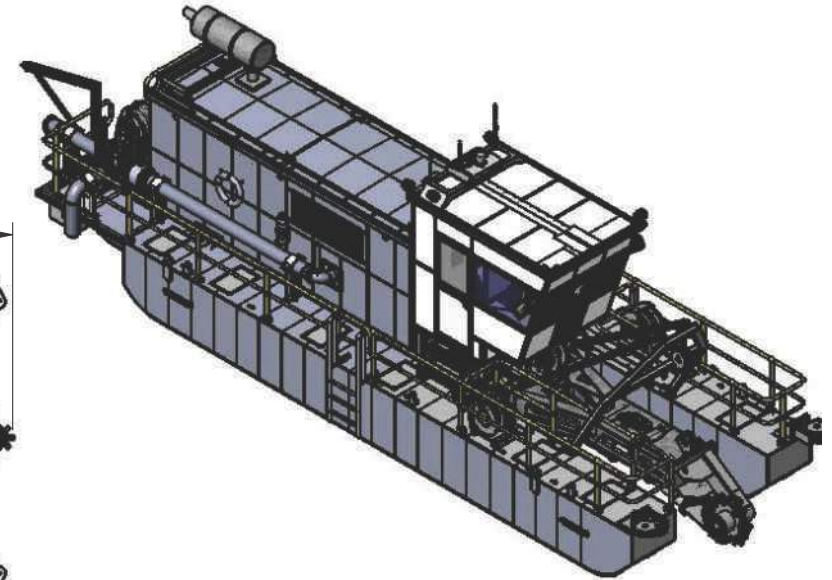


TYPICAL SPECIFICATIONS:

Length Over All: 13.1m
 Width: 4.6m
 Depth (Hull): 1.2m
 Dry Weight: 30,000kg
 Cutting Depth: 4m

Fuel Capacity: 10,000 litres
 Frames Size: 1,200mm
 Engine Model Options: CAT C9 or C18
 Slurry Pump: 200/150mm
 Dredge Cutter: Jaden S30HD-S60



NEUMANN EQUIPMENT
 A Division of Neumann Contractors Pty Ltd
 PO Box 8 Currumbin, Qld 4223 Australia Ph: +61 7 5589 2746 Fax: +61 7 5589 2775 ABN: 46 009 695 747
 Email: equipment@neumann.com.au Web: www.neumannequipment.com.au

Description: **DPC200**
Platypus C SERIES
200mm CUTTER SUCTION DREDGE

© This drawing and the design shown thereon is the property of Neumann Equipment and must not be sold, lent, given away copied, reproduced or otherwise divulged to third parties or used for manufacturing of other purposes without the written permissions of Neumann Equipment.