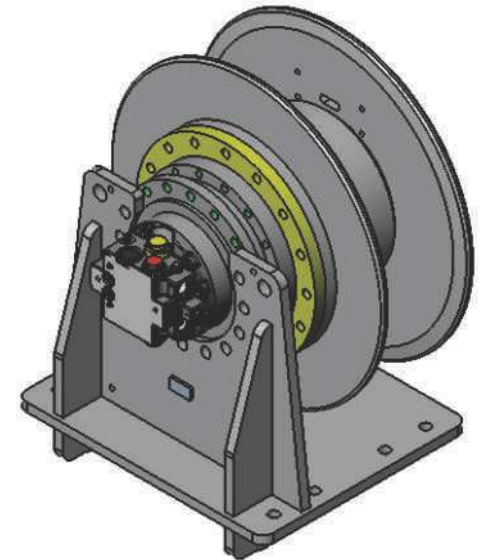
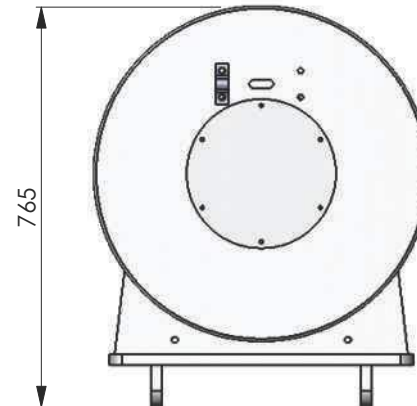
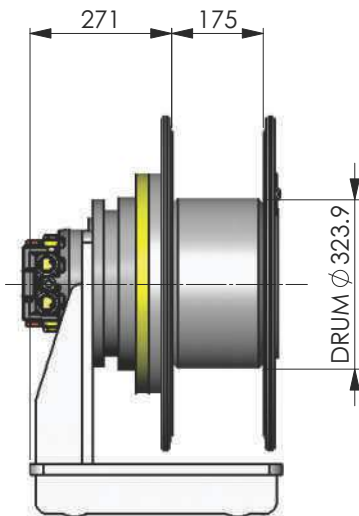
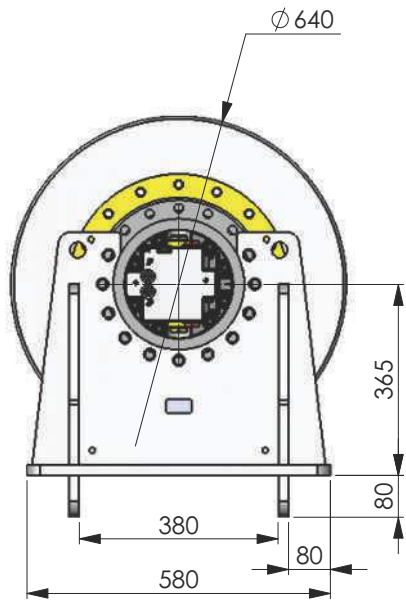


BOTTOM VIEW

TYPICAL SPECIFICATIONS:

- Line Pull - Top Layer: 2,000kg
- Line Pull - Bottom Layer: 3,300kg
- Line Speed - Top Layer: 0 - 20m/min
- Line Speed - Bottom Layer: 0 - 12m/min
- Drum Speed: 0 - 11.8rpm
- Rope Size - Typical: 12mm
- Drum Width: 175mm
- Drum Capacity 550m
- Drive: Hydraulic (optional electrical drive)



NEUMANN EQUIPMENT

A Division of Neumann Contractors Pty Ltd

PO Box 8 Currumbin, Qld 4223 Australia Ph: +61 7 5589 2746 Fax: +61 7 5589 2775 ABN: 46 009 695 747
Email: equipment@neumann.com.au Web: www.neumannequipment.com.au

Description: **DRW2000H**
2 TONNE DREDGE WINCH