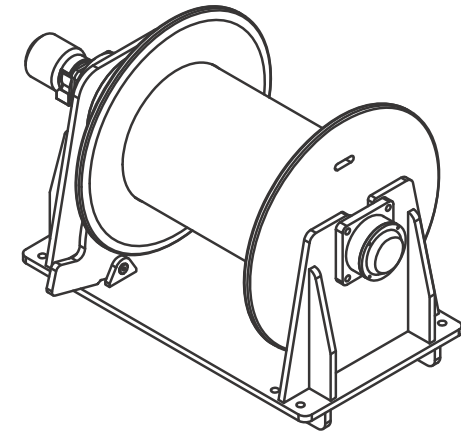
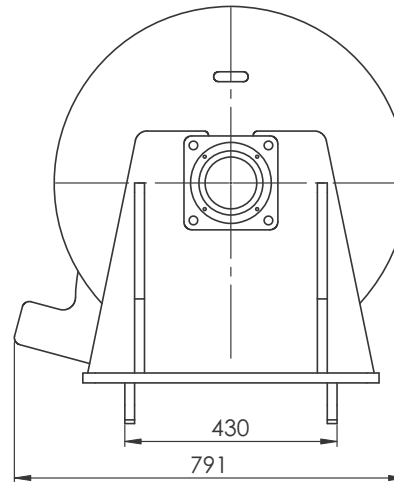
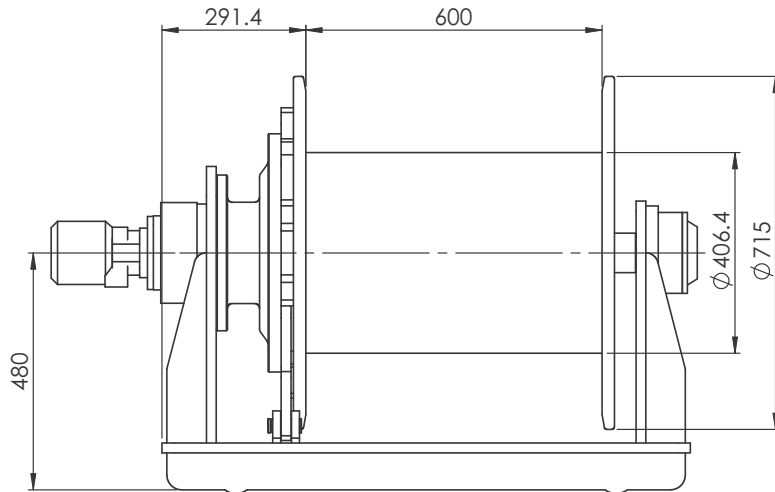


**TYPICAL SPECIFICATIONS:**

- Line Pull - Top Layer: 4,000kg
- Line Pull - Bottom Layer: 8,600kg
- Line Speed - Top Layer: 0 - 20m/min
- Line Speed - Bottom Layer: 0 - 9m/min
- Drum Speed: 0 - 9rpm
- Rope Size - Typical: 16mm
- Drum Width: 470mm
- Drum Capacity 550m
- Drive: Hydraulic (optional electrical drive)



**NEUMANN EQUIPMENT**

A Division of Neumann Contractors Pty Ltd

PO Box 8 Currumbin, Qld 4223 Australia Ph: +61 7 5589 2746 Fax: +61 7 5589 2775 ABN: 46 009 695 747  
Email: equipment@neumann.com.au Web: www.neumannequipment.com.au

Description: **DRW4000H**  
**4 TONNE DREDGE WINCH**

© This drawing and the design shown thereon is the property of Neumann Equipment and must not be sold, lent, given away, copied, reproduced or otherwise divulged to third parties or used for manufacturing of other purposes without the written permissions of Neumann Equipment.