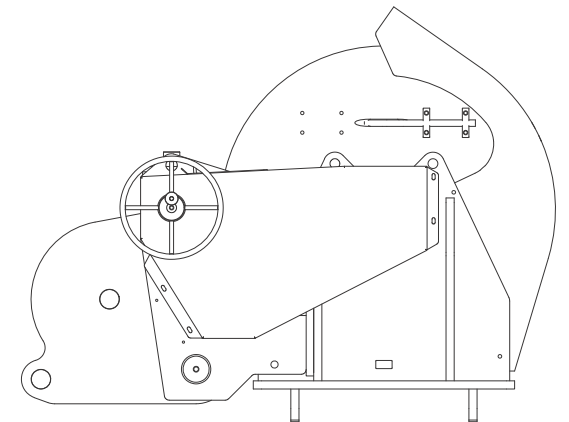
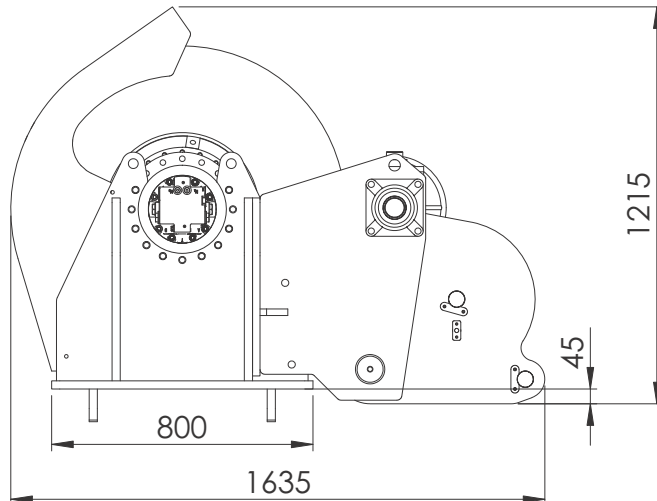
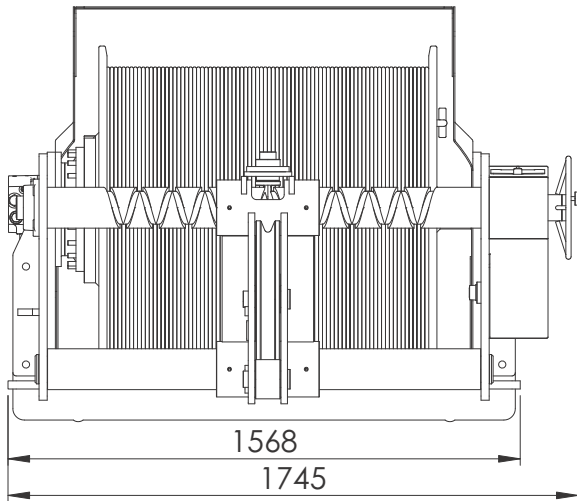
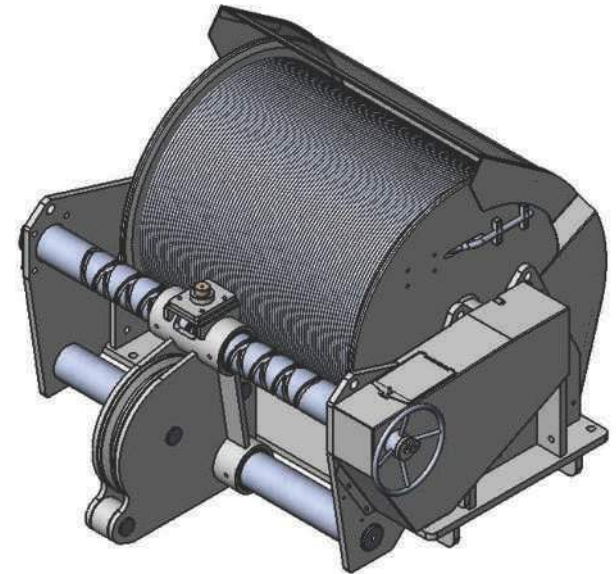


**TYPICAL SPECIFICATIONS:**

Line Pull - Top Layer: 6,000kg  
 Line Pull - Bottom Layer: 10,000kg  
 Line Speed - Top Layer: 0 - 22m/min  
 Line Speed - Bottom Layer: 0 - 13m/min  
 Drum Speed: 0 - 8rpm  
 Rope Size - Typical: 20mm  
 Drum Width: 1,000mm  
 Drum Capacity 995m  
 Drive: Hydraulic  
 (electric drive optional)



**NEUMANN EQUIPMENT**  
 A Division of Neumann Contractors Pty Ltd  
 PO Box 8 Currumbin, Qld 4223 Australia Ph: +61 7 5589 2746 Fax: +61 7 5589 2775 ABN: 46 009 695 747  
 Email: [equipment@neumann.com.au](mailto:equipment@neumann.com.au) Web: [www.neumannequipment.com.au](http://www.neumannequipment.com.au)

Description: **HLW6000H**  
**6 TONNE HAULING WINCH** with optional  
**Archimedes Screw Wire Guide & Guard**

© This drawing and the design shown thereon is the property of Neumann Equipment and must not be sold, lent, given away, copied, reproduced or otherwise divulged to third parties or used for manufacturing of other purposes without the written permissions of Neumann Equipment.