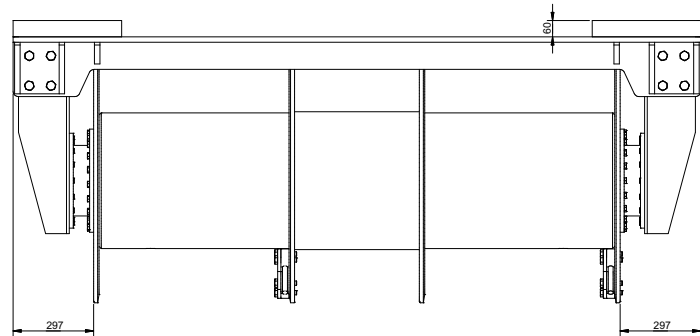
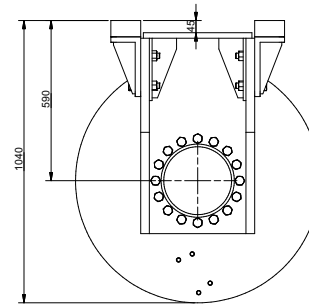


TOP VIEW



FRONT VIEW

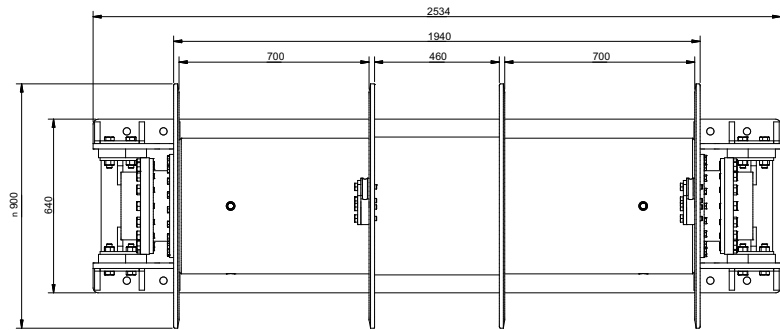


RIGHT SIDE VIEW



TYPICAL SPECIFICATIONS:

- Nominated Line Pull: 13,000kg
- Maximum Line Speed: 0 - 20m/min
- Drum Speed: 0 - 13.2rpm
- Rope Size - Typical: 26mm
- Drum Width: 2 x 700mm
- Drum Capacity 33m on each drum
- Drive: Hydraulic



BOTTOM VIEW



NEUMANN EQUIPMENT

A Division of Neumann Contractors Pty Ltd

PO Box 8 Currumbin, Qld 4223 Australia Ph: +61 7 5589 2746 Fax: +61 7 5589 2775 ABN: 46 009 695 747
Email: equipment@neumann.com.au Web: www.neumannequipment.com.au

Description: **LHW13000H**

13 TONNE LIFTING/HOISTING WINCH

with optional grooved drum for specified cable

© This drawing and the design shown thereon is the property of Neumann Equipment and must not be sold, lent, given away, copied, reproduced or otherwise divulged to third parties or used for manufacturing of other purposes without the written permissions of Neumann Equipment.