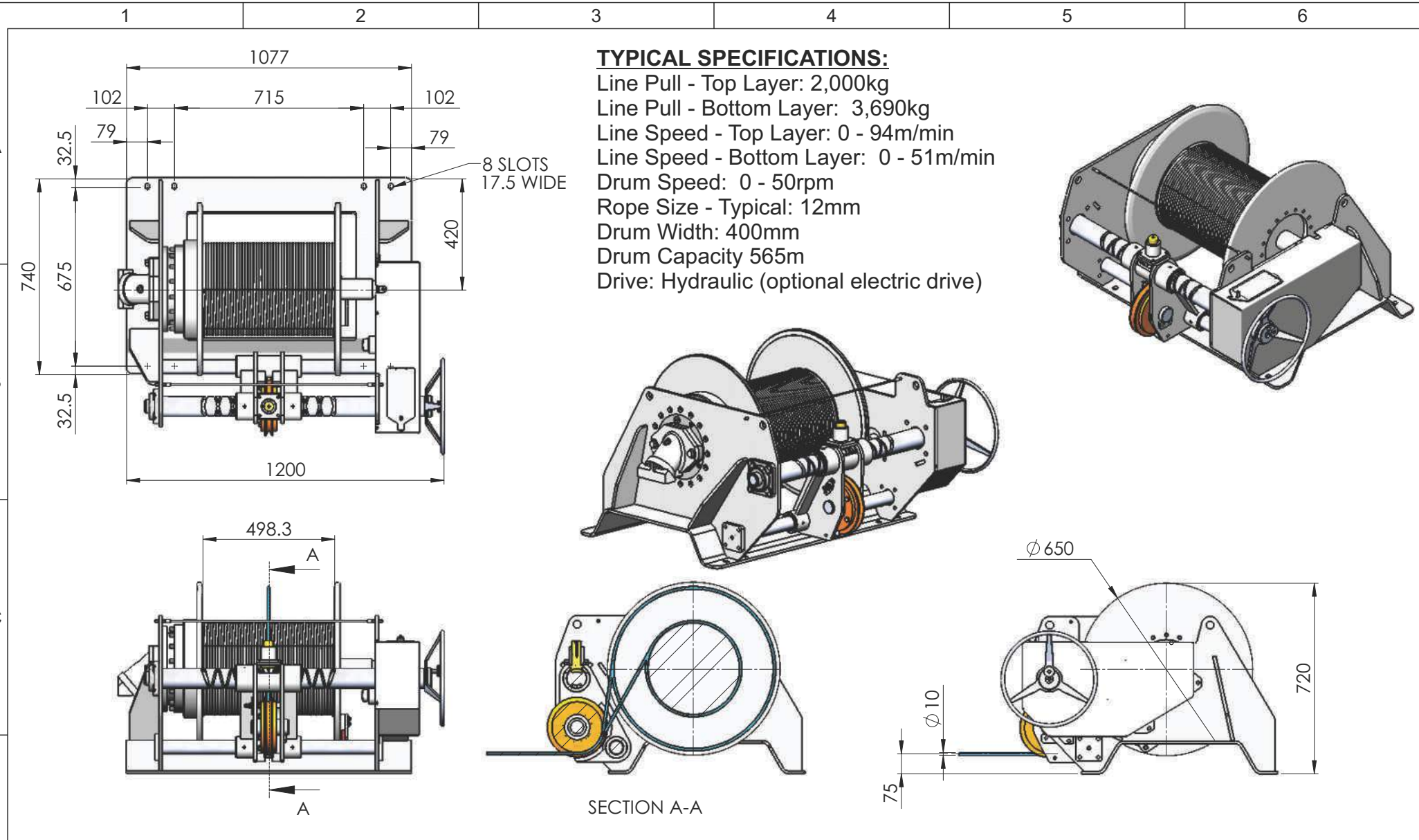


TYPICAL SPECIFICATIONS:

Line Pull - Top Layer: 2,000kg
 Line Pull - Bottom Layer: 3,690kg
 Line Speed - Top Layer: 0 - 94m/min
 Line Speed - Bottom Layer: 0 - 51m/min
 Drum Speed: 0 - 50rpm
 Rope Size - Typical: 12mm
 Drum Width: 400mm
 Drum Capacity 565m
 Drive: Hydraulic (optional electric drive)



NEUMANN EQUIPMENT

A Division of Neumann Contractors Pty Ltd
 PO Box 8 Currumbin, Qld 4223 Australia Ph: +61 7 5589 2746 Fax: +61 7 5589 2775 ABN: 46 009 695 747
 Email: equipment@neumann.com.au Web: www.neumannequipment.com.au

Description: **LHW2000H**
2 TONNE LIFTING/HOISTING WINCH
 with optional grooved drum for specified cable