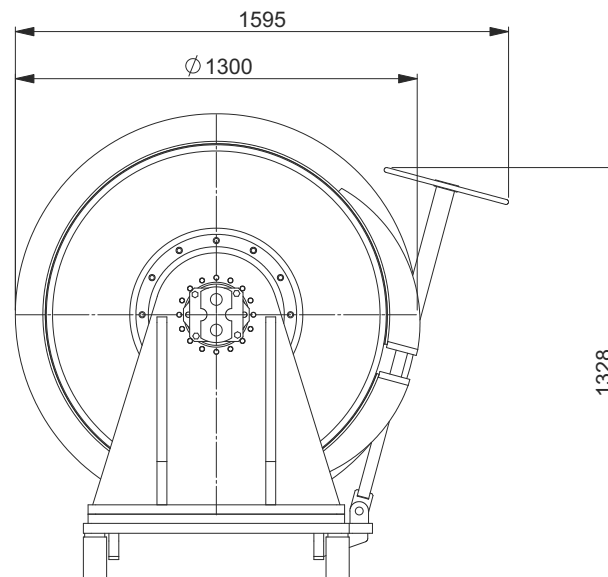
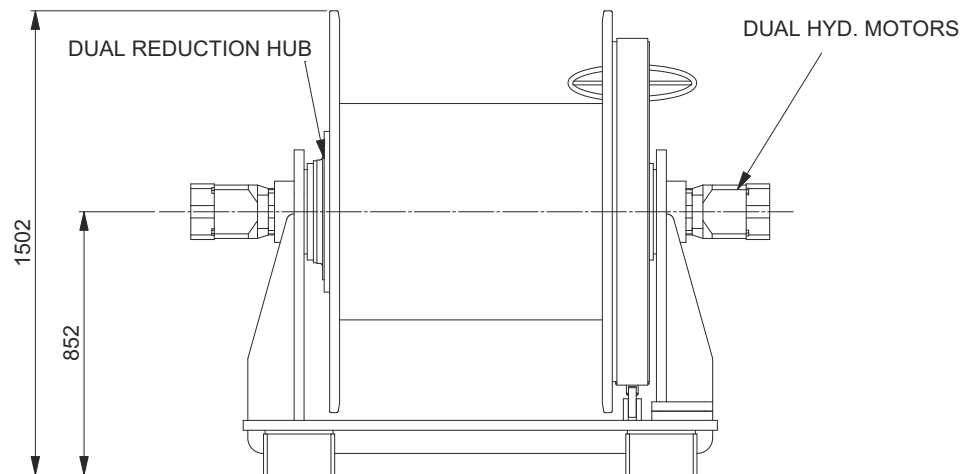
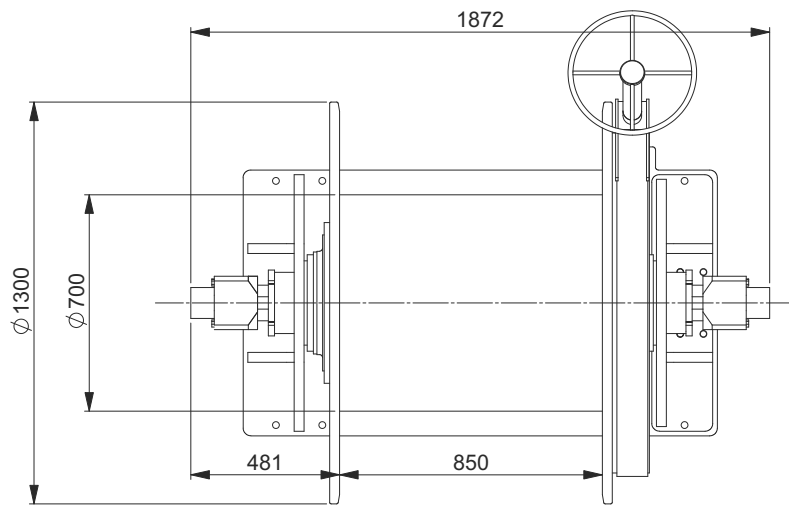
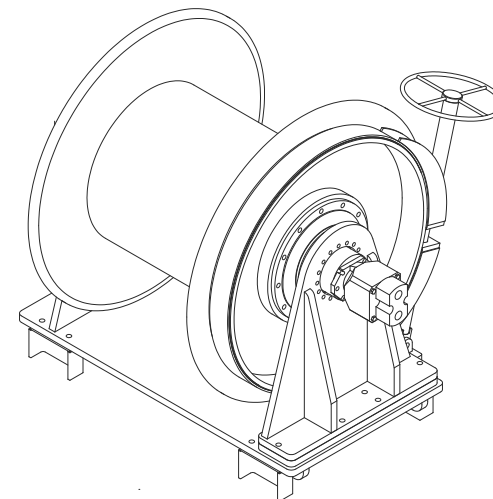


TYPICAL SPECIFICATIONS:

Line Pull - Top Layer: 10,000kg
Line Pull - Bottom Layer: 17,140kg
Line Speed - Top Layer: 0 - 20m/min
Line Speed - Bottom Layer: 0 - 12m/min
Drum Speed: 0 - 5.3rpm
Rope Size - Typical: 26mm
Drum Width: 850mm
Drum Capacity 954m
Drive: Hydraulic (optional electrical drive)



NEUMANN EQUIPMENT

A Division of Neumann Contractors Pty Ltd

PO Box 8 Currumbin, Qld 4223 Australia Ph: +61 7 5589 2746 Fax: +61 7 5589 2775 ABN: 46 009 695 747
Email: equipment@neumann.com.au Web: www.neumannequipment.com.au

Description: **TUG1000H**
10 TONNE TUGGER WINCH

© This drawing and the design shown thereon is the property of Neumann Equipment and must not be sold, lent, given away, copied, reproduced or otherwise divulged to third parties or used for manufacturing of other purposes without the written permissions of Neumann Equipment.