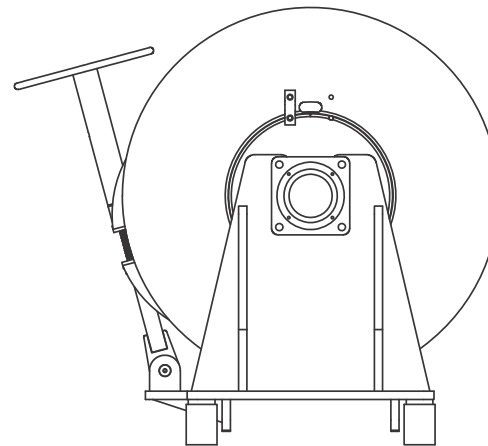
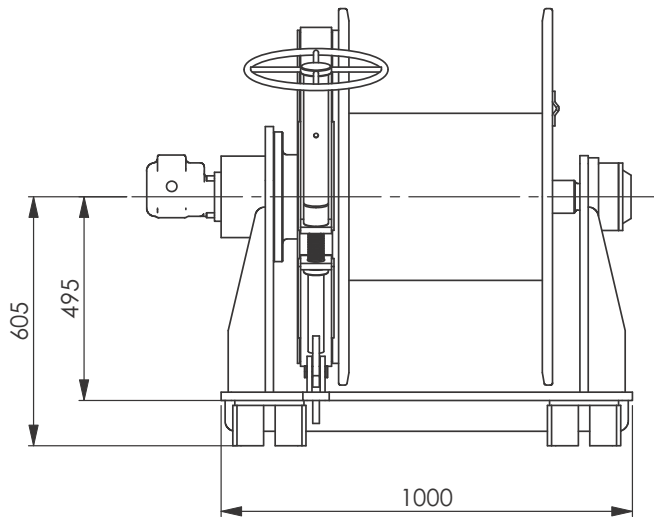
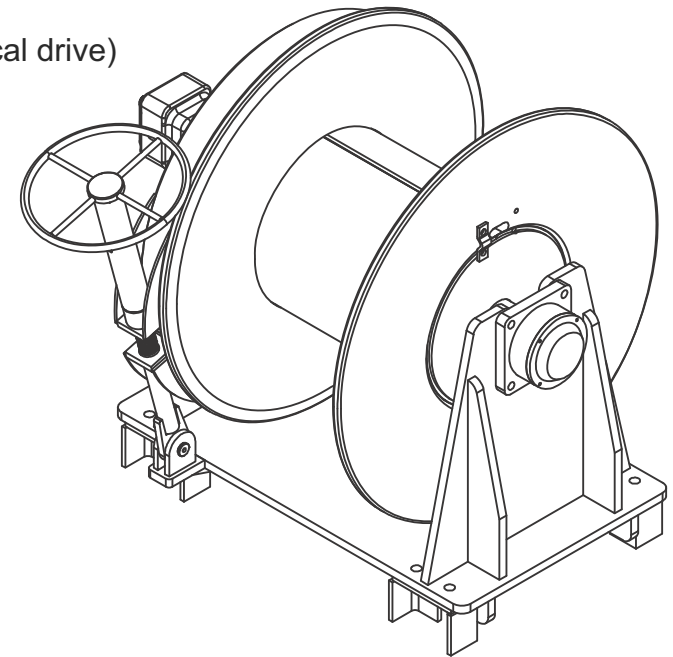


**TYPICAL SPECIFICATIONS:**

Line Pull - Top Layer: 3,000kg  
 Line Pull - Bottom Layer: 5,980kg  
 Line Speed - Top Layer: 0 - 20m/min  
 Line Speed - Bottom Layer: 0 - 10m/min  
 Drum Speed: 0 - 7.8rpm  
 Rope Size - Typical: 16mm  
 Drum Width: 470mm  
 Drum Capacity: 730m  
 Drive: Hydraulic (optional electrical drive)



**NEUMANN EQUIPMENT**

A Division of Neumann Contractors Pty Ltd

PO Box 8 Currumbin, Qld 4223 Australia Ph: +61 7 5589 2746 Fax: +61 7 5589 2775 ABN: 46 009 695 747  
 Email: equipment@neumann.com.au Web: www.neumannequipment.com.au

Description: **TUG3000H**  
**3 TONNE TUGGER WINCH**