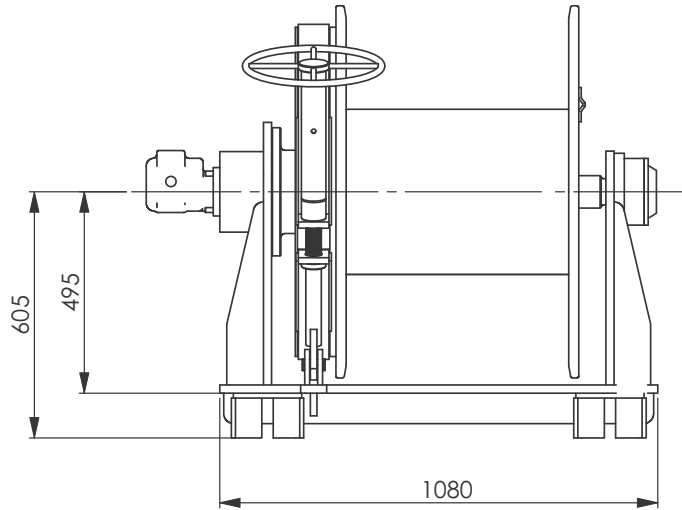
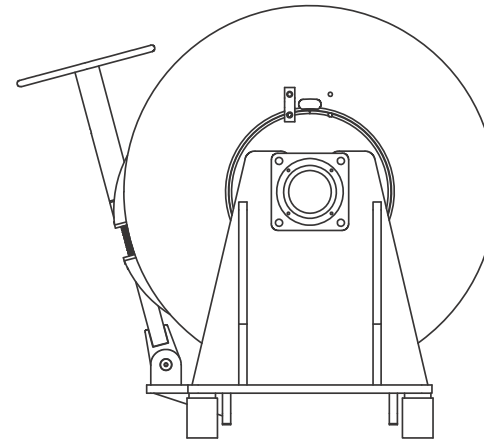
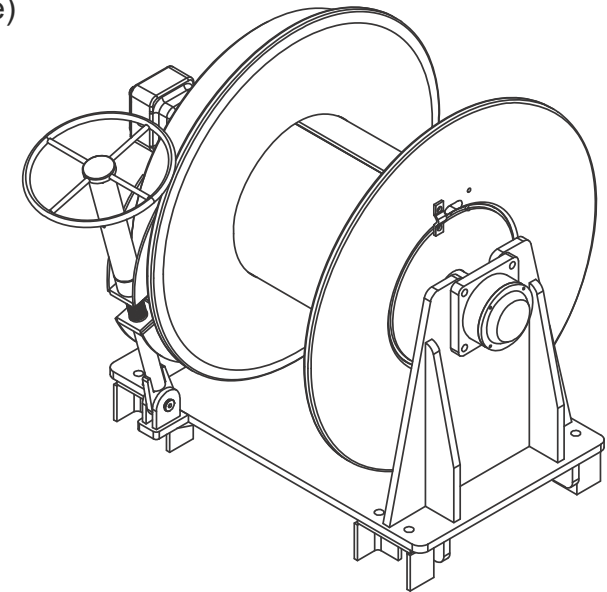


TYPICAL SPECIFICATIONS:
 Line Pull - Top Layer: 6,000kg
 Line Pull - Bottom Layer: 10,600kg
 Line Speed - Top Layer: 0 - 20m/min
 Line Speed - Bottom Layer: 0 - 11m/min
 Drum Speed: 0 - 9rpm
 Rope Size - Typical: 24mm
 Drum Width: 550mm
 Drum Capacity: 345m
 Drive: Hydraulic (optional electrical drive)



NEUMANN EQUIPMENT
 A Division of Neumann Contractors Pty Ltd
 PO Box 8 Currumbin, Qld 4223 Australia Ph: +61 7 5589 2746 Fax: +61 7 5589 2775 ABN: 46 009 695 747
 Email: equipment@neumann.com.au Web: www.neumannequipment.com.au

Description: **TUG6000H**
6 TONNE TUGGER WINCH

© This drawing and the design shown thereon is the property of Neumann Equipment and must not be sold, lent, given away, copied, reproduced or otherwise divulged to third parties or used for manufacturing of other purposes without the written permissions of Neumann Equipment.